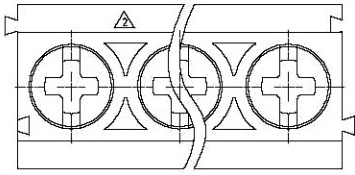


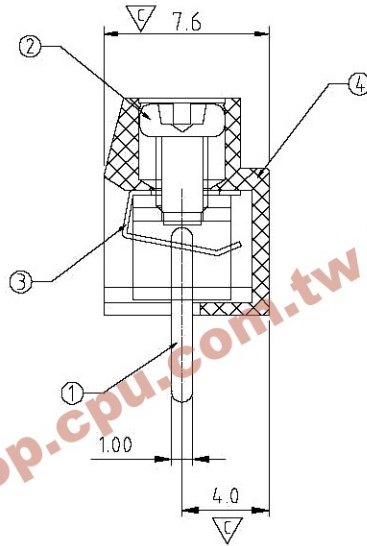
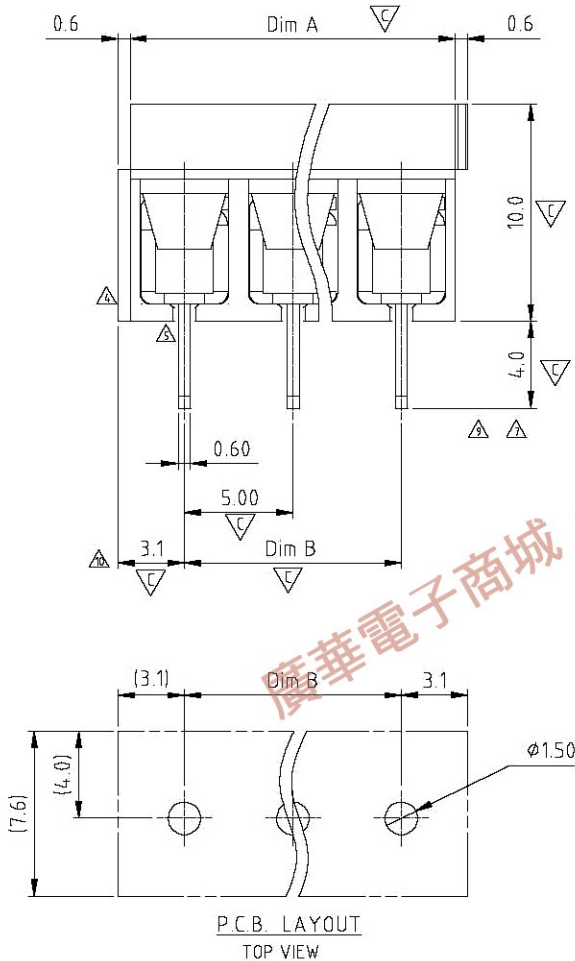
N = Number of poles

Dim A=Nx5.0 \triangle

Dim B=(N-1)x5.0



	Dim A	Dim B
2-6p	± 0.25	± 0.20
7-12p	± 0.30	± 0.25
13-18p	± 0.35	± 0.30
19-24p	± 0.40	± 0.35





Material

- Item ① Terminal body(metal housing): Brass stamping, Tin plated
- Item ② Terminal screw: Steel Zinc plating "+/-" slot type
- Item ③ Wire guard: Stainless steel
- Item ④ Insulator (housing): Thermoplastic (UL94V-0)

Electrical

- Voltage rating: 300VAC/250VAC
- Current rating: 8A/12A
- Wire range:
- Solid wire(AWG): 14-26/0.2-2.5mm²
- Stranded wire(AWG): 14-26/0.2-2.5mm²
- Torque: 3.5Lb-In/0.4N.m
- Screw: M2.5
- Wire strip length: 5-6mm
- Withstanding Voltage: 1.6KV

- \triangle ● Operating temperature: -40°C to +115°C / -40°C to +105°C
- \triangle ● Soldering temperature: 260°C \pm 5°C/5 Sec
- Safety Approval:  
- Critical dimension: 